

Technical Data for MQ/MBQ-Series Mass Flow Meters

50 SLPM full scale through 10,000 SLPM full scale

Meters for flow rates over 6000 SLPM are compatible with hydrogen only.

Standard specifications. Consult Alicat for available options.



+1 (888) 290-6060
alicat.com/mq

SENSOR PERFORMANCE	
Mass flow accuracy ¹	± 2% of full scale
Flow repeatability (2σ)	± 0.2% of full scale
Pressure accuracy ¹	Above 1 atm: ± 0.5% of reading Below 1 atm: ± 0.07 PSIA
Flow measurement range	0.2 – 100% of full scale (500:1 turndown ratio)
Operating pressure range	11.5 – 320 PSIA
Pressure sensitivity	Mass flow zero shift: ± 0.01% of full scale per atm from tare pressure Mass flow span shift: ± 0.1% of reading per atmosphere from calibration conditions
Temperature sensitivity	Mass flow zero shift and span shift: ± 0.01% of full scale per °C from 25°C
Temperature accuracy	± 0.75°C
Operating temperature range	-10 – 60°C (ambient and gas)
Totalizer volume uncertainty	± 0.1% of reading in additional uncertainty
Sensor response time	< 1 ms
Typical indication response time	< 10 ms, flow rate dependent

¹ Stated accuracy is after tare (for mass flow), under equilibrium conditions, includes repeatability and linearity.

MECHANICAL	
Wetted materials	302, 303, 304, and 316L stainless steel; FKM, alumina ceramic, glass, gold, heat-cured epoxy, heat-cured silicone rubber, polyamide, silicon
Maximum pressure	Damage possible above 400 PSIA common mode pressure. Damage possible above 75 psi differential pressure.
Relative humidity range	0 – 95%, non-condensing
Ingress protection	IP40 (consult Alicat for weatherproofing options)
Mounting holes	50 – 100 SLPM: 4× 8-32 UNC threaded ⌀ 0.375" [9.53 mm] 250 – 1000 SLPM: 4× 8-32 UNC threaded ⌀ 0.328" [8.33 mm] 2000 – 3000 SLPM: 4× 8-32 UNC threaded ⌀ 0.330" [8.38 mm] 5000 – 10,000 SLPM: 4× 8-32 UNC threaded ⌀ 0.300" [7.62 mm]

POWER AND COMMUNICATION	
Digital output options ²	RS-232 Serial and Modbus RTU (default), RS-485 Serial and Modbus RTU, Modbus TCP/IP, DeviceNet, EtherCAT, EtherNet/IP, PROFINET, PROFIBUS
Digital data update rate ³	40 Hz at 19200 baud
Analog output options	4 – 20 mA, 0 – 5 Vdc, 1 – 5 Vdc, 0 – 10 Vdc
Analog data update rate	1 kHz
Analog signal accuracy	± 0.1% of full scale additional uncertainty
Interactive display	Monochrome LCD or color TFT display with integrated touchpad; simultaneously displays mass flow, volumetric flow, temperature, and pressure
Display update rate	10 Hz
Electrical connection options ²	6-pin locking, 8-pin mini-DIN, 8-pin M12, 9-pin DB-9, 15-pin DB-15 (contact Alicat for custom pinouts)
Power requirements ^{2,3}	0 – 5 Vdc output: 9 – 24 Vdc, 40 mA 0 – 10 Vdc output: 12 – 28 Vdc, 40 mA 4 – 20 mA output: 12 – 28 Vdc, 80 mA

² See Portable Devices table for MBQ-Series specifications and options.

³ Consult the individual operating bulletins for specific industrial protocol power requirements and data transmission specifications.

Technical Data for MQ/MBQ-Series Mass Flow Meters

50 SLPM full scale through 10,000 SLPM full scale

Meters for flow rates over 6000 SLPM are compatible with hydrogen only.

Standard specifications. Consult Alicat for available options.



+1 (888) 290-6060
alicat.com/mq

FEATURES	
STP reference conditions	25°C and 1 atm (default), user-configurable
NTP reference conditions	0°C and 1 atm (default), user-configurable
Gas Select™ 4	98 user-selectable gases stored internally. Each gas optimized to match NIST's REFPROP 10 gas property calculations across the operating temperature and pressure ranges for highest accuracy.
COMPOSER™ 4	20 user-definable gas mixes. Each mix may have up to 5 gases with 0.01% composition resolution.

4 Devices with a range of 6000 SLPM or greater are not equipped with Gas Select™ or COMPOSER™ and are only compatible with hydrogen.

RANGE-SPECIFIC TECHNICAL DATA		
Full scale flow	Pressure drop at full scale flow venting air to atmosphere	Default process connections ⁵
50 SLPM	2.0 PSID	¼" NPT female
100 SLPM	2.5 PSID	¼" NPT female
250 SLPM	2.1 PSID	½" NPT female
500 SLPM	4.0 PSID	¾" NPT female
1000 SLPM	6.0 PSID	¾" NPT female
2000 SLPM	5.0 PSID	¾" NPT female
3000 SLPM	7.1 PSID	1¼" NPT female
5000 SLPM	3.4 PSID	1½" NPT female
10,000 SLPM (H ₂ only)	3.5 PSID ⁶	1½" NPT female

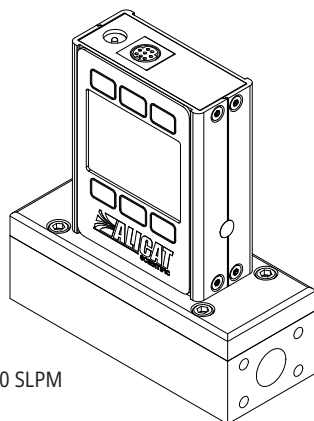
5 Consult Alicat for available process connection options, such as: Compression, face seal, push-to-connect, BSPP, SAE, or Swagelok® (including tube, VCO®, and VCR®).

6 Pressure drop of 3.5 PSID is at full scale when venting hydrogen to atmosphere.

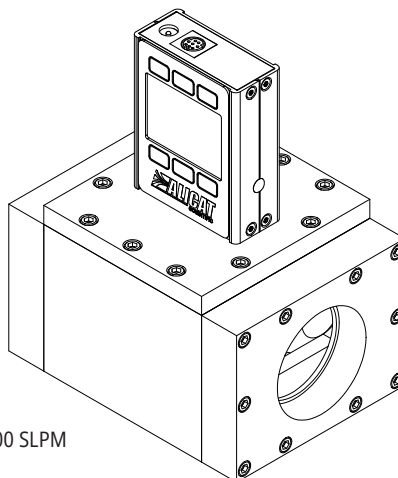
PORTABLE DEVICES (MBQ-SERIES) ⁷	
Power requirements	5 Vdc, 1 A recommended via an outlet adapter to USB
Battery life	Monochrome screen: 18 hours, user-configurable, contrast dependent Color TFT screen: 8 hours, user-configurable, contrast dependent
Electrical connection and communication	Digital output: Serial over Micro-USB Power over Micro-USB Type B Bluetooth® Low Energy (requires the Alicat Connect app and a compatible Android or iOS mobile device)
Charging temperature	0 – 45°C
Dimensions	Portable devices (MBQ-Series) add 1.646" [41.81 mm] to height, and 0.2 lb [90.72 g] to weight

7 More information about our MBQ-Series portable mass flow meters at alicat.com/mbq.

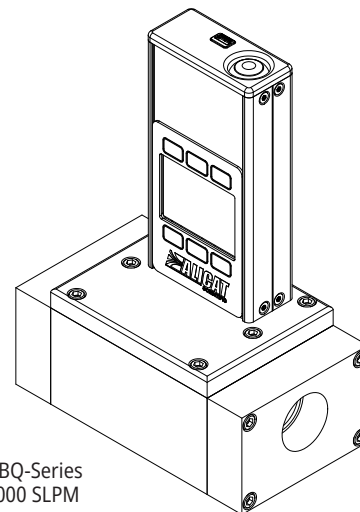
Representative Examples



100 SLPM



5000 SLPM



MBQ-Series
2000 SLPM

Technical Data for MQ/MBQ-Series Mass Flow Meters

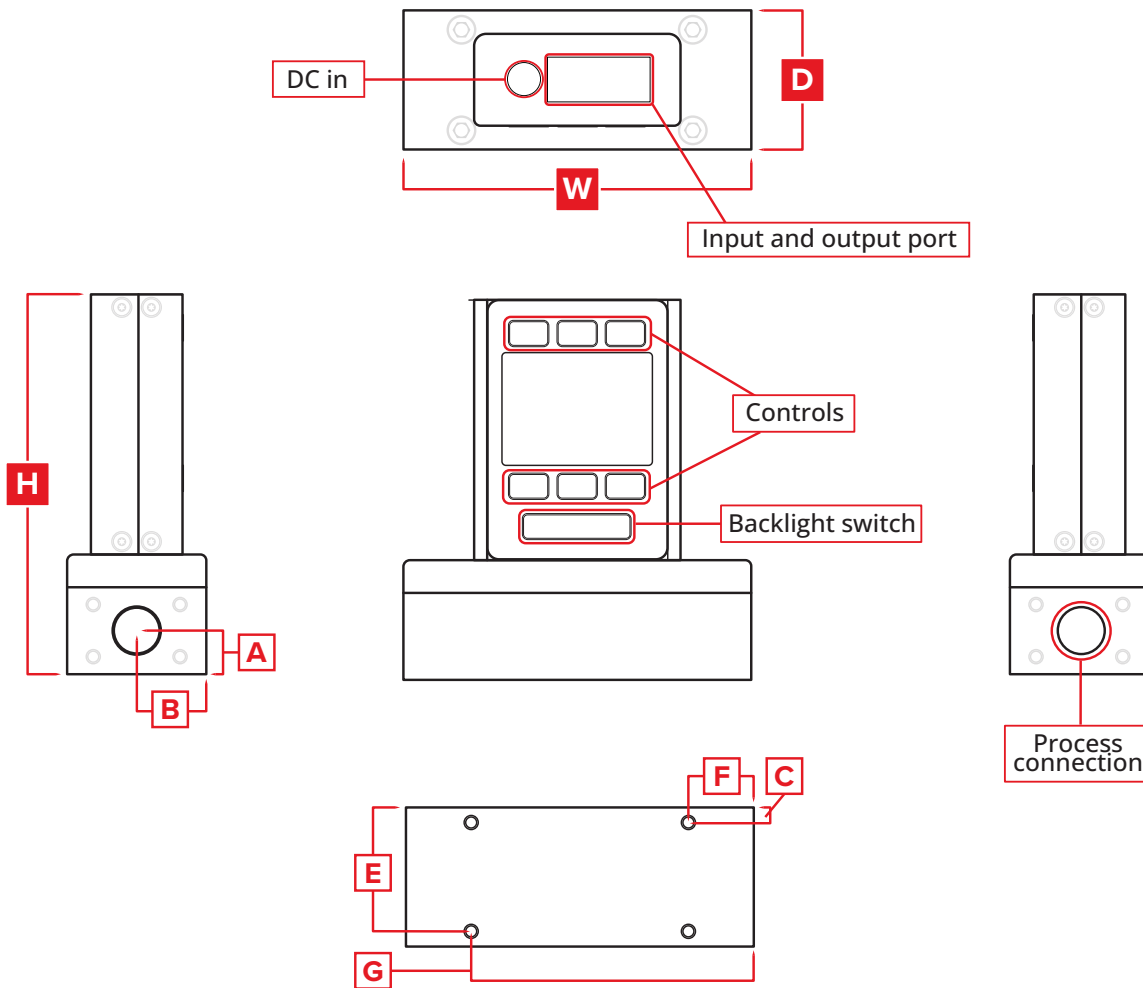
50 SLPM full scale through 10,000 SLPM full scale

Meters for flow rates over 6000 SLPM are compatible with hydrogen only.

Standard specifications. Consult Alicat for available options.



+1 (888) 290-6060
alicat.com/mq



Full scale flow	DIMENSIONS ⁸									WEIGHT
	Width	Depth	Height	A	B	C	E	F	G	
50 – 100 SLPM	4.00"	1.60"	4.37"	0.50"	0.80"	0.18"	1.43"	0.75"	3.25"	≈ 2.4 lb
	101.6 mm	40.6 mm	110.9 mm	12.7 mm	20.3 mm	4.4 mm	36.2 mm	19.1 mm	82.6 mm	≈ 1.1 kg
250 SLPM	4.00"	1.60"	4.97"	0.80"	0.80"	0.18"	1.43"	0.75"	3.25"	≈ 2.4 lb
	101.6 mm	40.6 mm	126.2 mm	20.3 mm	20.3 mm	4.4 mm	36.2 mm	19.1 mm	82.6 mm	≈ 1.1 kg
500 – 1000 SLPM	4.00"	1.60"	4.97"	0.80"	0.80"	0.18"	1.43"	0.75"	3.25"	≈ 3.5 lb
	101.6 mm	40.6 mm	126.2 mm	20.3 mm	20.3 mm	4.4 mm	36.2 mm	19.1 mm	82.6 mm	≈ 1.6 kg
2000 SLPM	5.20"	2.90"	5.29"	1.12"	1.45"	0.20"	2.70"	1.35"	3.85"	≈ 4.5 lb
	132.1 mm	73.7 mm	134.3 mm	28.4 mm	36.8 mm	5.1 mm	68.6 mm	34.3 mm	97.8 mm	≈ 2.0 kg
3000 SLPM	5.20"	2.90"	5.29"	0.96"	1.45"	0.20"	2.70"	1.35"	3.85"	≈ 4.5 lb
	132.1 mm	73.7 mm	134.3 mm	24.4 mm	36.8 mm	5.1 mm	68.6 mm	34.3 mm	97.8 mm	≈ 2.0 kg
5000 SLPM	5.20"	3.84"	6.27"	1.45"	1.92"	0.30"	3.55"	1.35"	3.85"	≈ 14.0 lb
	132.1 mm	97.5 mm	159.2 mm	36.8 mm	48.8 mm	7.5 mm	90.0 mm	34.3 mm	97.8 mm	≈ 6.4 kg
10,000 SLPM (H ₂ only)	5.20"	3.84"	6.27"	1.45"	1.92"	0.30"	3.55"	1.35"	3.85"	≈ 14.0 lb
	132.1 mm	97.5 mm	159.2 mm	36.8 mm	48.8 mm	7.5 mm	90.0 mm	34.3 mm	97.8 mm	≈ 6.4 kg

⁸ Portable devices (MBQ-Series) add 1.646" [41.81 mm] to height, and 0.2 lb [90.72 g] to weight.